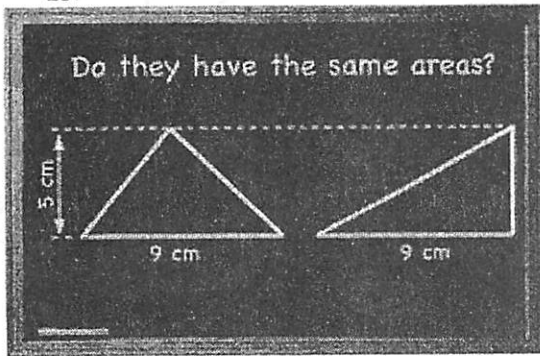


costs \$25 per square foot. How much will it cost Fred to carpet his bedroom? In the space provided, use words, numbers, or pictures to explain your answer.

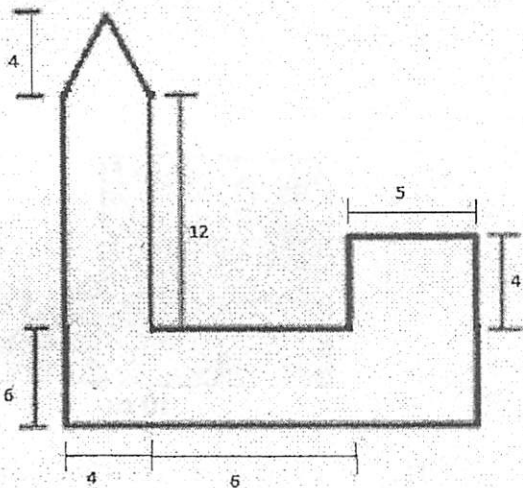
12. Tammy needs to rent an office building. She needs 10,000 square feet of space. If Tammy found a building to rent that is 81 feet by 102 feet, is this building large enough to meet Tammy's building needs?

13.



- a. Find the area of the two triangles.
- b. What do you notice about the two triangles?

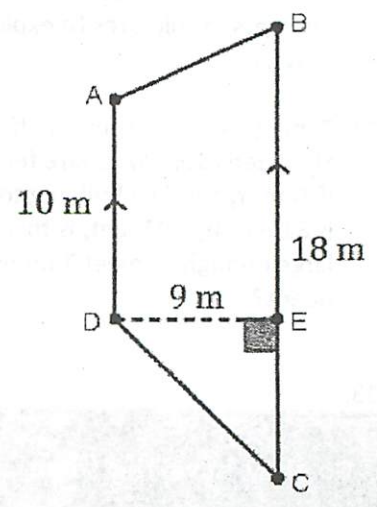
14.



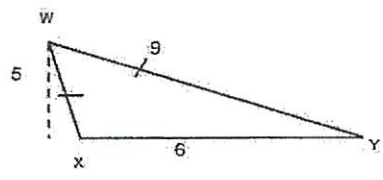
Name _____

Study Guide for Area of Two-Dimensional Figures Test

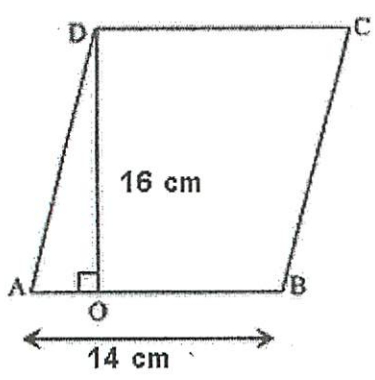
1. What is the formula for the area of a rectangle? _____
2. What is the formula for the area of a parallelogram? _____
3. What is the formula for the area of a triangle? _____
4. What is the formula for the area of a trapezoid? _____
5. What is the area of a triangle with a base of 30 mm and a height of 12 mm?



6. What is the area of the triangle below?

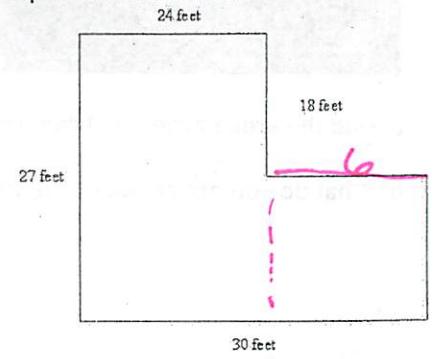


7. What is the area of the rhombus below?

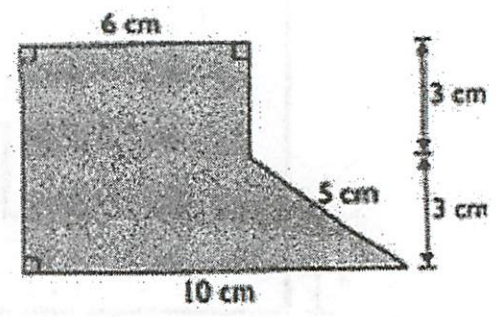


8. What is the area of the trapezoid below?

9. Mr. Sweatman is buying new carpet for his dining room and living room. The floor plan is shown below. How much carpet does he need?



10. What is the area of the figure below?



11. Fred wants to carpet his bedroom that measures 12 ft by 15 ft. The carpet _____